

S2190 and S2290 is designed for washing/brushing pumpkins. Equipped with 2 brushes (diameter 350 mm) with adjustable gap (depending on the size of the product). Each brush has its own speed regulation, adjustment of the direction of work and an independent drive. The machine is equipped with a brass sprinkler system (6 or 9 adjustable nozzles depending on the model). As an option, the machine can be equipped with water recycling.

BASIC PARAMETERS:

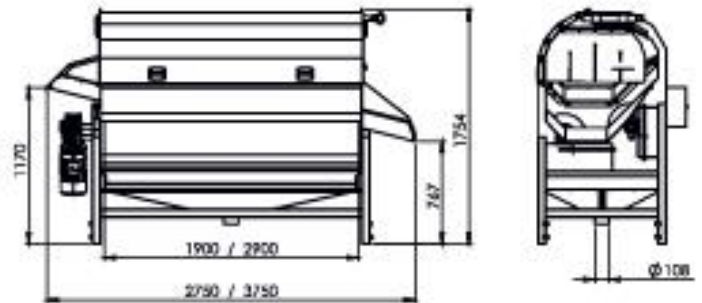
- L/W/H [cm] : 275, 375/100/175;
- Weight [kg] : 500/640;
- Installed power : 3 kW/6A;
- Power supply : 3X400V+N+PE, pin 9+32A.

BASIC EQUIPMANT :

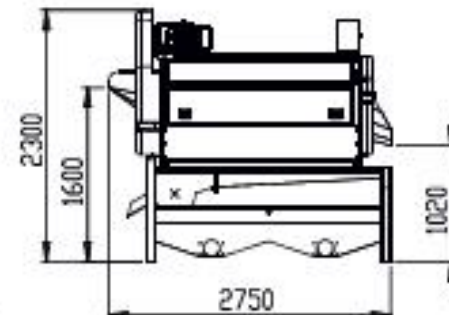
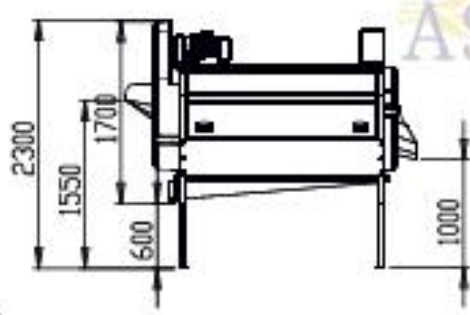
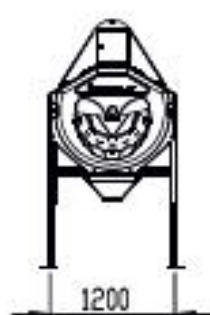
- Brass sprinklers with angle adjustment and pressure force;
- 2 independent drives (one for each brush);
- Gutter for water with outlet 110 mm ;
- Supply valve (1.5 inch).

OPCIONAL EQUIPMANT :

- Water recycling tub;
- Stainless structure.



Machine for polishing, brushing, cleaning pre-washed root vegetables in a washer or after wet unloading in a water hopper. The brushing process takes place in a drum made of cylindrical brushes (depending on the model: 7 or 9 pcs.), mounted in a U-shape. A wide range of brush hardnesses. Vegetables sprayed with clean water from the network or water pumped from a recycling bath (in the option). In the « dry brushing » version, the machine is additionally equipped with a spiral brush that makes it easier to move vegetables to the exit. The machine is an important element in the technological line; dedicated to smaller farms. The productivity of the machine, depending on the model, is 1.5; 2; 3 t/h. The rotational speed of the brushes is adjusted using an inverter. The brush length is 190 or 290 cm (depending on the model). Optionally, the machine may have electric tilt angle adjustment and water recycling.



BASIC PARAMETERS :

| Type | S7190 | S9190 | S9290 |
|----------------------|------------------------|-------------|-------------|
| Productivity [t/h] | 1,5 | 2 | 3 |
| L/W/H [cm] | 275/125/230 | 275/125/230 | 375/125/230 |
| Weight [kg] | 900 | 950 | 1300 |
| Installed power [kW] | 4 | | 6 |
| Power Supply | 3x400 V+N+PE pin 5x32A | | |



The machine is used for polishing, brushing and cleaning root vegetables, pre-washed in a washer or after wet unloading in a water hopper. Brushing takes place in a rotating drum made of cylindrical brushes rotating opposite to the drum, with continuous water spraying. 75% of brush length is sprayed with water pumped from the machine bath in a closed circuit, and the remaining part is sprayed with clean water from the water supply network. The speed of the brushes and drum can be smoothly adjusted with inverters, which allows you to adapt the operating mode to any type of vegetables (even those with very delicate skin). The machine is equipped with water recycling as standard. The S15190 model has 15 brushes with a length of 190 cm, and the S15290 has a length of 290 cm.



BASIC PARAMETERS:

| Type | S15190 | S15290 |
|--------------------|-------------------------|-------------|
| Productivity [t/h] | 5 | 7 |
| L/W/H [cm] | 290x165x285 | 390x165x285 |
| Weight [kg] | 2500 | 3500 |
| Install power | 10 kW/20A | 15kW/30A |
| Power supply | 3x400 V+N+PE, pin 5x32A | |

